

PRODUCT INFORMATION PACKET

Model No: 5KCP36NNB671U

Catalog No: P253

1/2 HP Instant Reversing Motor, 1 phase, 1800 RPM, 115 V, 56 Frame, ODP
Instant Reversing Motors





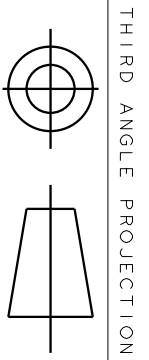
Nameplate Specifications

Output HP	0.50 Hp	Output KW	0.37 kW
Frequency	60 Hz	Voltage	115 V
Current	5.4 A	Speed	1625/1325 rpm
Service Factor	1	Phase	1
Efficiency	57 %	Power Factor	0
Duty	Continuous	Insulation Class	B
KVA Code	A	Frame	56
Enclosure	Drip Proof	Thermal Protection	MANUAL
Ambient Temperature	40 °C	Drive End Bearing Size	6203
Opp Drive End Bearing Size	6203	UL	Recognized
CSA	Yes	CE	N

Technical Specifications

Electrical Type	Permanent Split Capacitor(PSC)	Starting Method	N/R
Poles	4	Rotation	Instant Reversible
Mounting	Rigid Base	Motor Orientation	ANY
Drive End Bearing	BALL	Opp Drive End Bearing	Ball
Frame Material	Rolled Steel	Overall Length	9.85 in
Frame Length	6.22 in	Shaft Diameter	0.630 in
Shaft Extension	1.88 in		
Connection Drawing	52A109207	Outline Drawing	52A111716P1

This is an uncontrolled document once printed or downloaded and is subject to change without notice. Date Created:03/11/2020



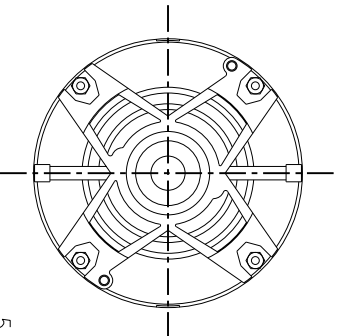
THIRD ANGLE PROJECTION

REVISIONS

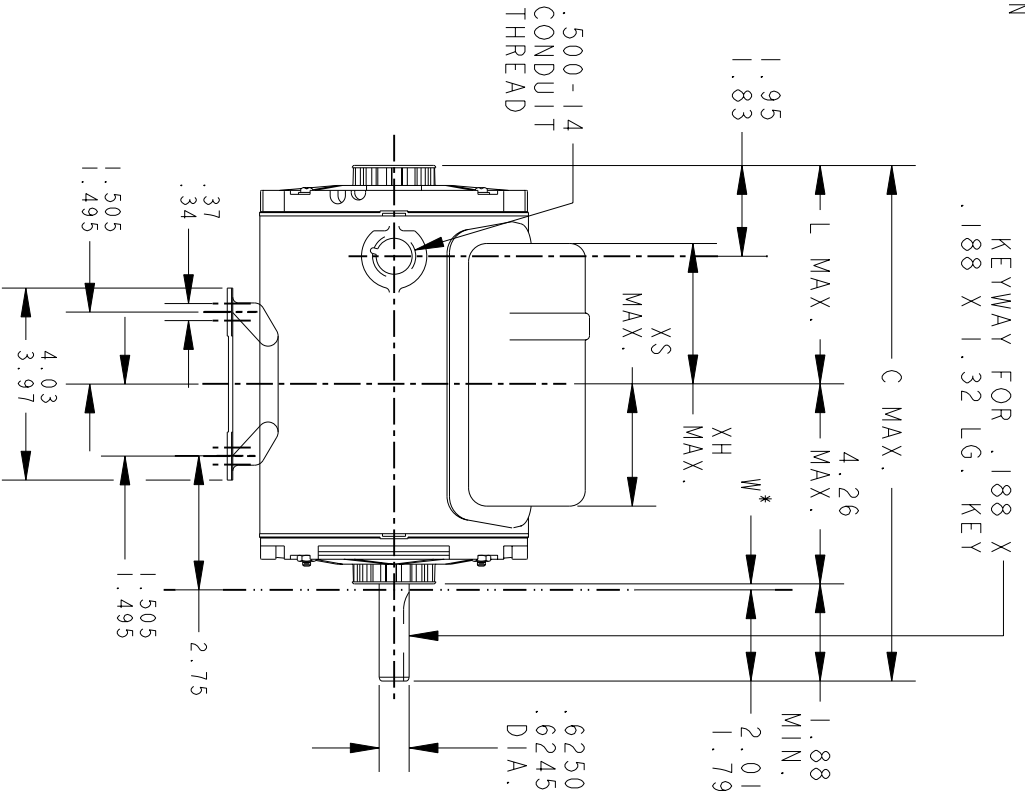
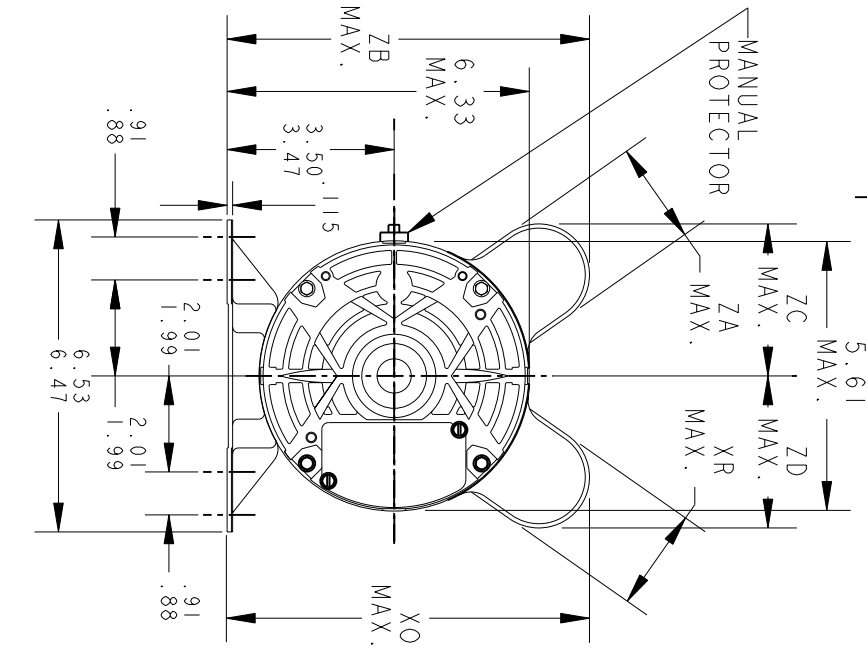
REV.	DESCRIPTION	DATE	APPROVED
1	UPDATED AS PER ISAAC 05-2750	10/27/05	PRAVEEN.K

52A111716 1

SIZE A DRAWING NO.



VIEW SHOWING P.E. VENTILATION OPENINGS



W * IS A CLEARANCE DUE TO VARIATION IN PARTS AND ASSEMBLY.

P	TYPE	GE SIZE	NEMA FR	C	L	XH	XS	XR	XO	ZD	ZA	ZB	ZC	SHELL REF.
1	KCP	36	56	10.30	4.23	3.09	2.61	2.22	7.81	3.38	2.22	7.81	3.38	6.22

SIGNATURES		DATE
MODEL		
DETAIL	PRAVEEN.K	07/21/05
CHECKED		
ENGRG		



REGAL-BELOTT CORPORATION

TITLE OUTLINE

FORM N-GENERAL PURPOSE MOTOR-DRIP PROOF- RIGID BASE- BALL OR SLEEVE BEARING FME5KCP36NMB67U

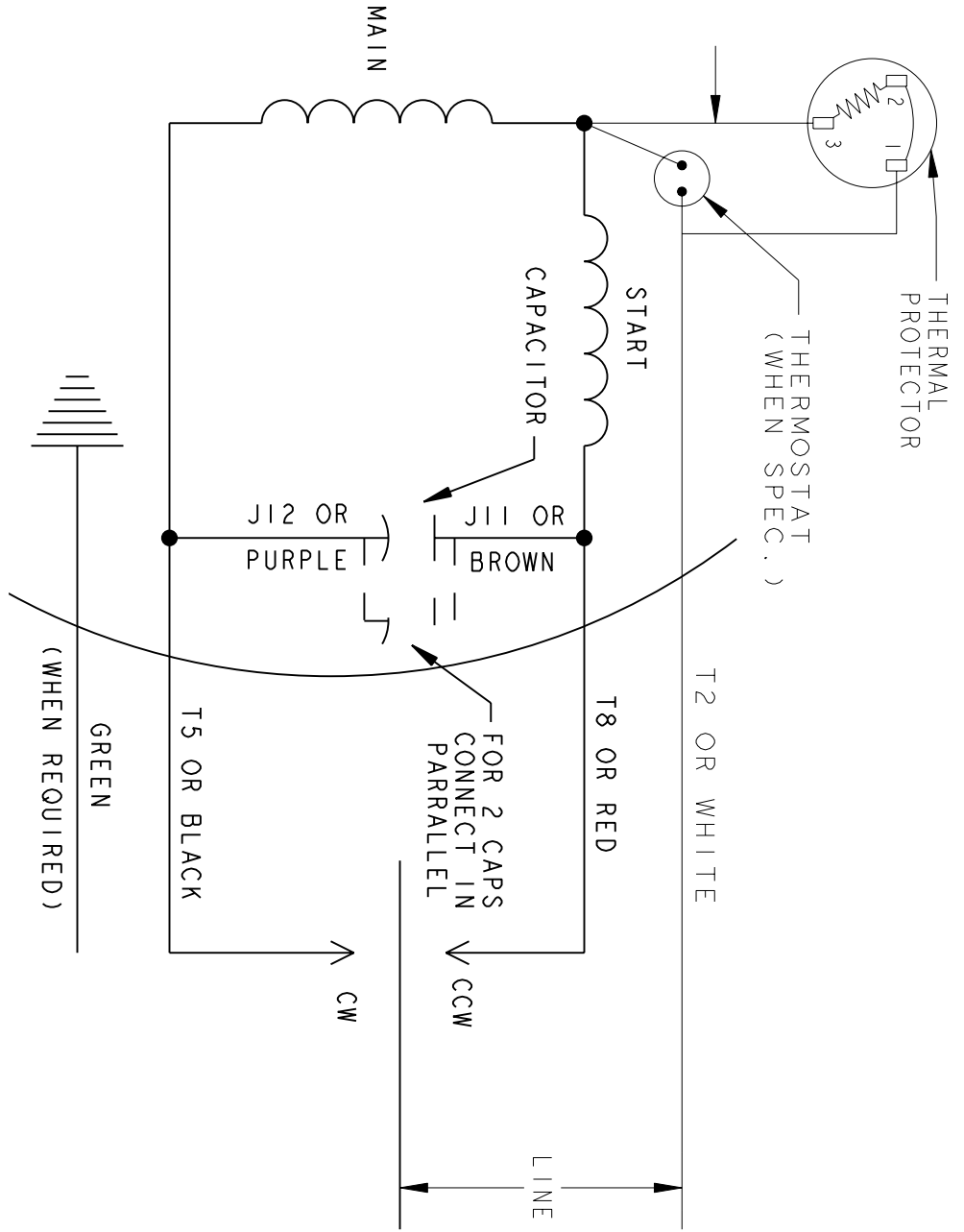
FOR ADDITIONAL INFO REFER TO:	MFG	
APPLIED PRACTICES	QUALITY	
DIMENSIONS ARE IN INCHES	ISSUED	DEBRAJ 07/21/05
MATERIAL	SOLID MODEL:	52A111716

SIZE	A	SCALE:	0.003	REF. No.:	
REV	1	SHEET	1 of 1		



REVISIONS		DESCRIPTION	DATE	APPROVED
REV.	6	UPDATED TO RBC FORMAT	01/12/06	MAM

REVERSIBLE ROTATION - SINGLE VOLTAGE - TYPE KCP WITH CAPACITOR



REF. DIAG. - NONE

CONNECTION LABEL - 52X333135

SIGNATURES	DATE
MODEL B.L.J.	04/14/93
DETAIL	.
CHECKED	.
ENGRG	.
MFG	.
QUALITY	.
ISSUED B.L.J.	04/14/93

FOR ADDITIONAL INFO REFER TO:
 APPLIED PRACTICES
 DIMENSIONS ARE IN INCHES ✓
 MATERIAL

REGAL-BELOIT CORPORATION

CONNECTION DIAGRAM

FME: 5KCP33GNA335AX

SCALE: 1.000 REF. No: .

SIZE DRAWING A

52A109207

REV 6

SHEET 1 of 1